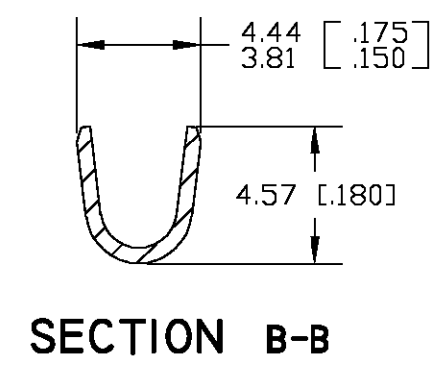
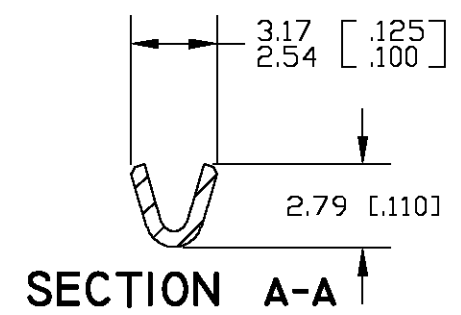
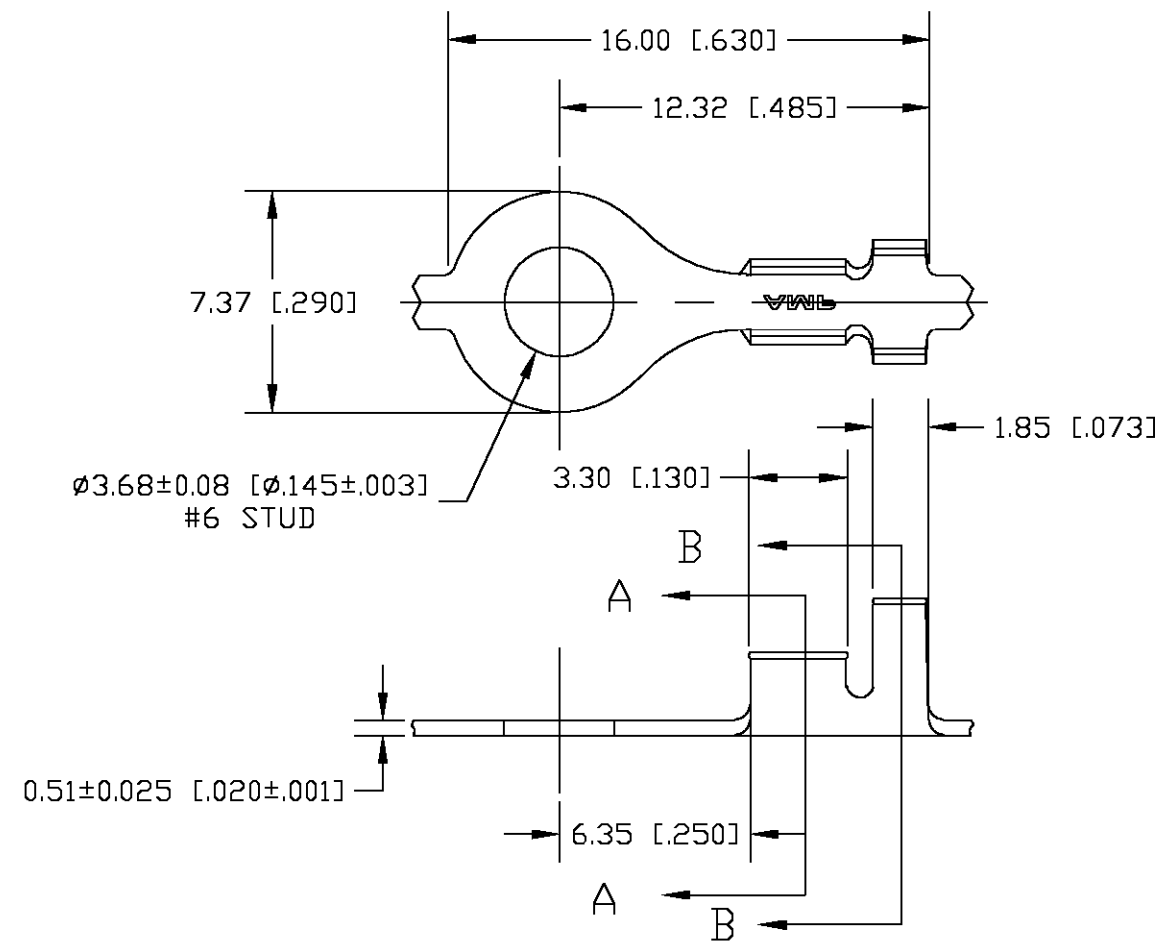


THIS DRAWING IS UNPUBLISHED. RELEASED FOR PUBLICATION .19  
 © COPYRIGHT 19 BY AMP INCORPORATED. ALL RIGHTS RESERVED.

LOC	DIST	REVISIONS			
P	LTR	DESCRIPTION	DATE	DWN	APVD
AF	50	H	REDRAWN PER OG3A-0473-00	22JUL00	JR DD

- 1 CONTINUOUS STRIP ON REELS.
- 2 WIRE SIZE IS [#24-#20] AWG.
- 3 INSULATION RANGE IS 2.03-2.54 [.080-.100] DIA.



41580  
PART NO.

THIS DRAWING IS A CONTROLLED DOCUMENT.		DWN J RUTH 22JUL00	<b>AMP</b> AMP Incorporated Harrisburg, PA 17105-3608	
DIMENSIONS: MM [ INCHES ]		CHK MS FEHER 22JUL00		
TOLERANCES UNLESS OTHERWISE SPECIFIED:		APVD D DECKER 22JUL00	NAME RING TONGUE	
0 PLC ± - 1 PLC ± - 2 PLC ± 0.38 [.015] 3 PLC ± - 4 PLC ± - ANGLES ± -		PRODUCT SPEC -	RESTRICTED TO -	
MATERIAL 082 BRASS		FINISH TIN PLATED	SIZE A3	CAGE CODE 00779
		WEIGHT	DRAWING NO C-41580	REV H
CUSTOMER DRAWING			SCALE 5:1	SHEET 1 OF 1